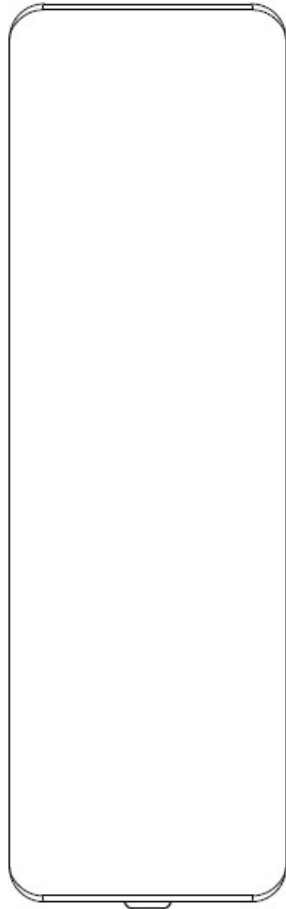
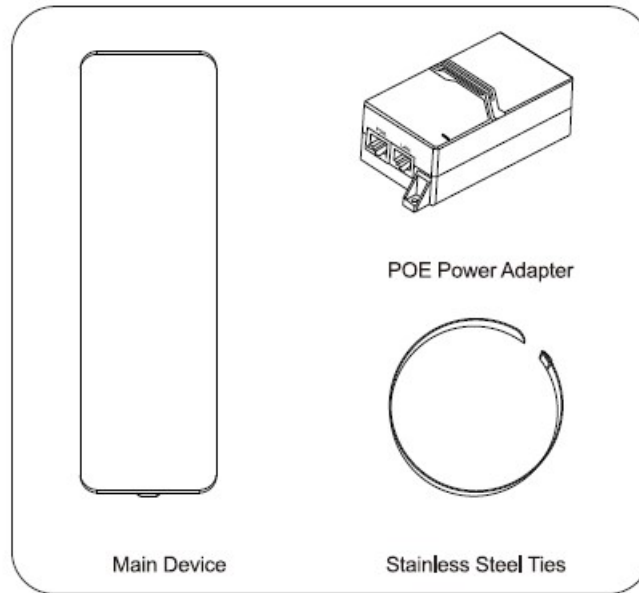


CM312A WiFi Extender Quick Installation Guide

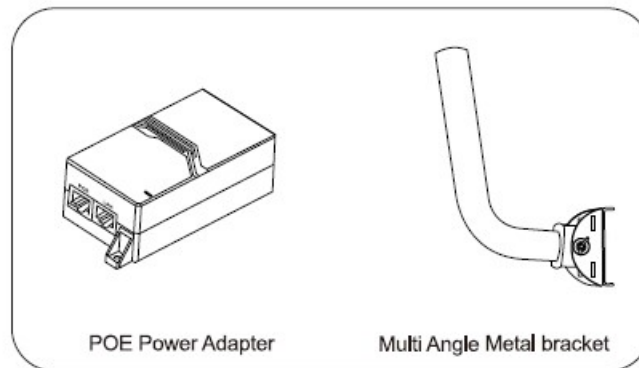


www.comset.com.au

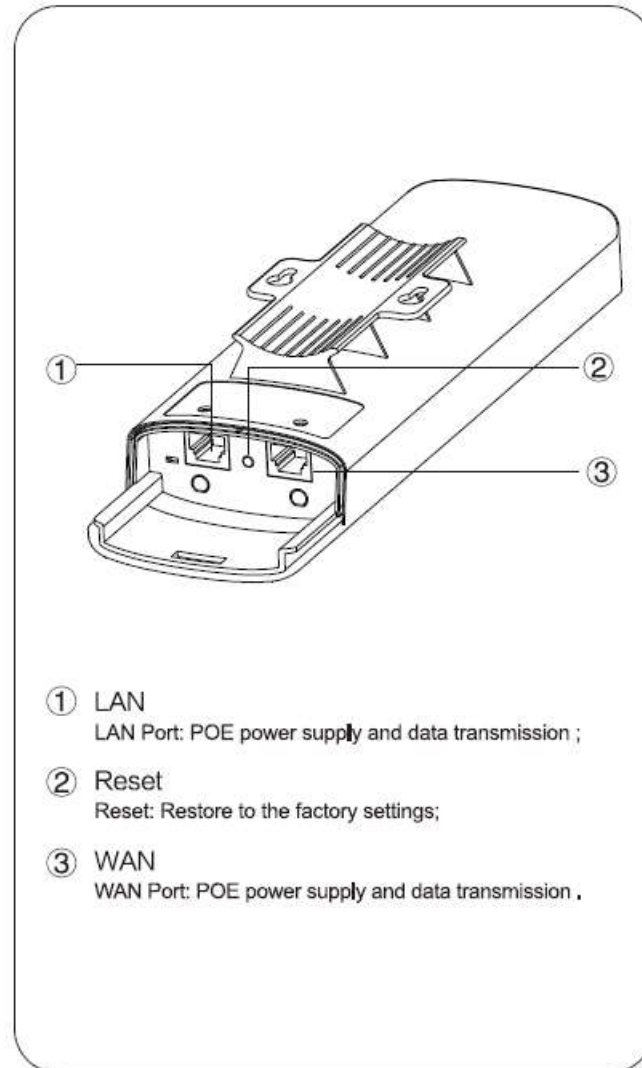
1 Packing list



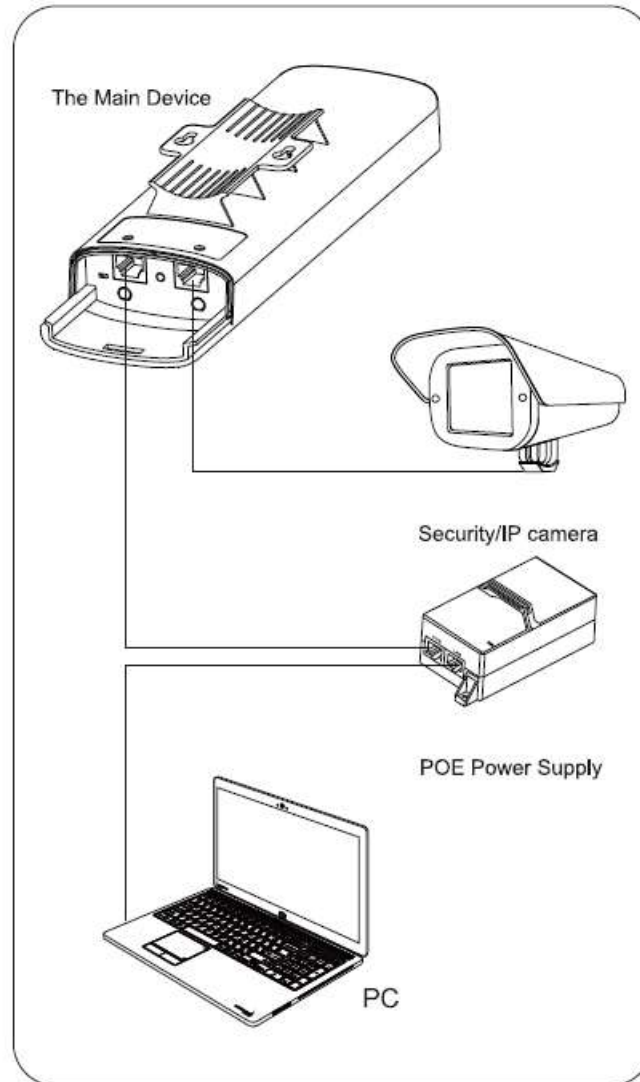
2 Optional Accessories



3 Interface Description

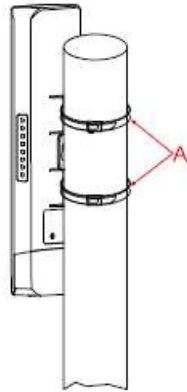
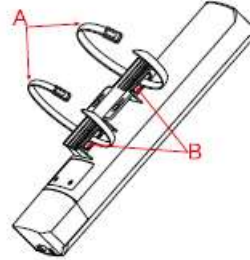


4 Schematic Diagram Of Typical Connection



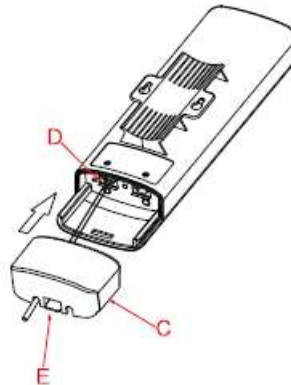
5 Installation Guide

- ① Insert two ties A into two holes B as picture shows. It can be adjusted by Pole thickness.

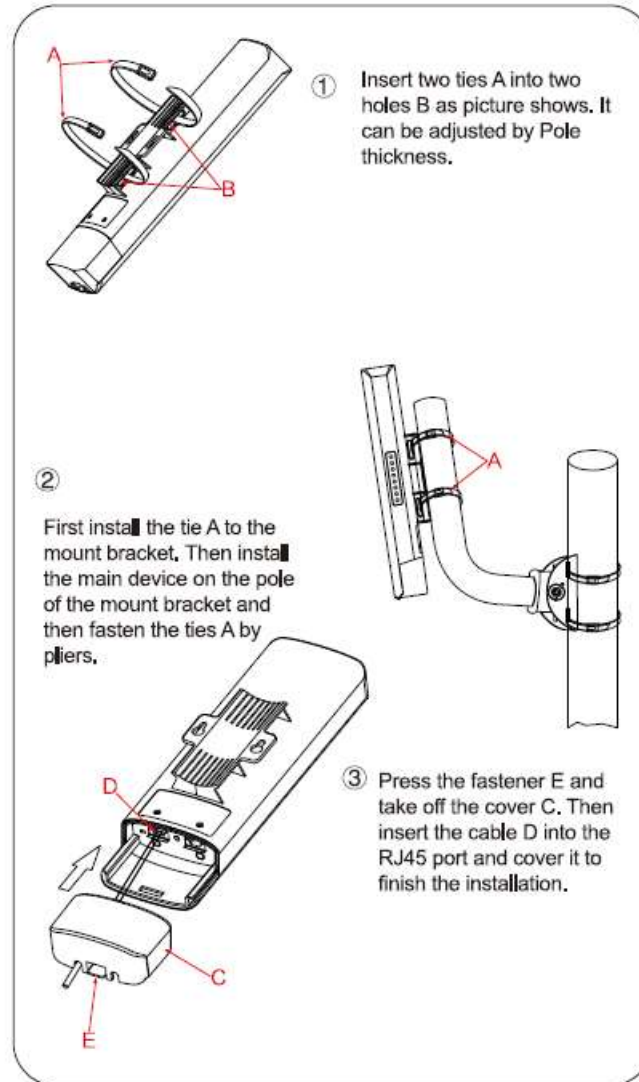


- ② Install the main device on the pole and then fasten the ties A by pliers.

- ③ Press the fastener E and take off the cover C. Then insert the cable D into the RJ45 port and cover it to finish the installation.



6 Installation Guide for Mount Bracket



7 Installation Guide for Nail Mount

